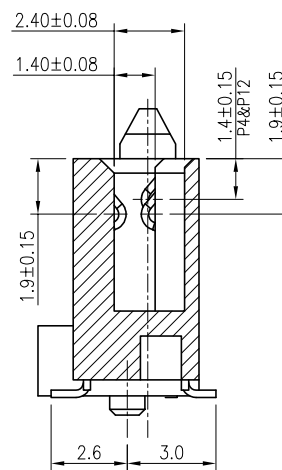
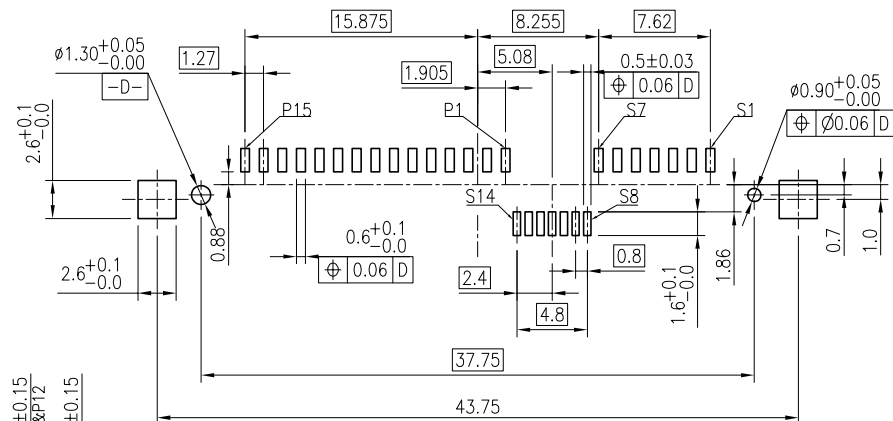
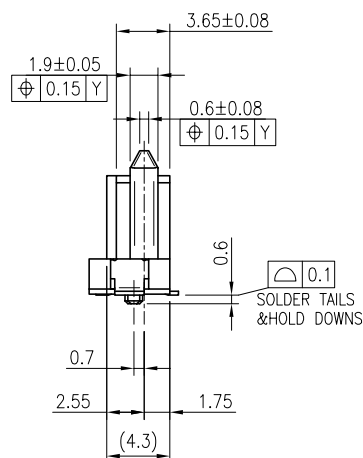
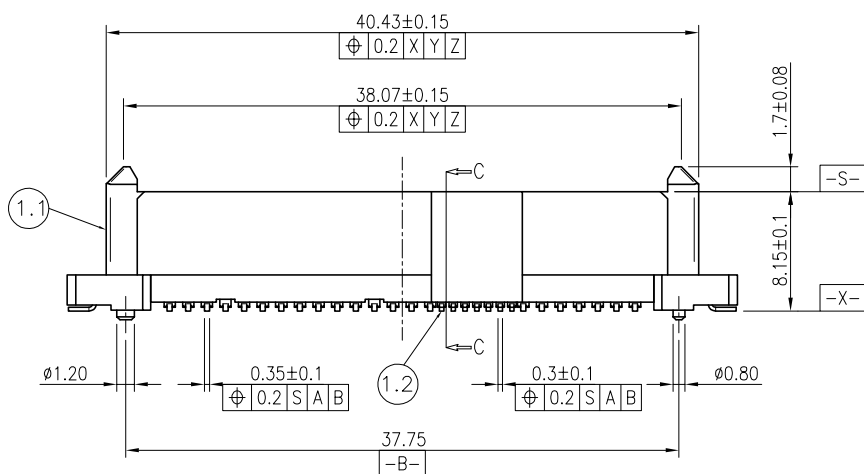


WITH PICK-UP CAP
SCALE 1:1



SECTION C-C
SCALE 4:1



RECOMMENDED P.C.B. LAYOUT

NOTES:

- MATERIAL:
 - HOUSING: THERMOPLASTIC, HIGH TEMP.,UL94V-0; COLOR:BLACK.
 - CONTACT: COPPER ALLOY
 - HOLD DOWN: COPPER ALLOY
 - PICK-UP CAP: THERMOPLASTIC, HIGH TEMP.,UL94V-0; COLOR:BLACK.
- FINISH:
 - CONTACT:
 - GOLD PLATING ON CONTACT AREA.
 - 100~200u" MATTE TIN PLATING ON SOLDER TAILS.
 - 50~100u" NICKEL UNDERPLATING OVERALL.
 - HOLD DOWN:
 - 100~200u" MATTE TIN PLATING ON SOLDER TAILS.
 - 50~100u" NICKEL UNDERPLATING OVERALL.
- REFLOW SOLDER CAPABLE TO 260°C PER ACES SPEC.
- SPEC. PLS. REFER TO PS-51891-XXXX-XX
- PACKAGE PLS. REFER TO 51892-XXXX-XX-TRP
- PART NUMBER
51892-029 X X-XXX
 NO OF CKT | TYPE
 XXX.CKT | 001:NONE
 PACKING | PLATING
 0:TAPE&REEL | D: 30u" GOLD PLATING

一般公差 TOLERANCES X ±0.5 XX ±0.15 X ±0.25 XXX ±0.1 ANGLES ±2°	宏致電子股份有限公司 Aces Electronics Co.,Ltd.	
檢驗尺寸標示 SYMBOLS ⊕ ⊗ INDICATE CLASSIFICATION DIMENSION ⊕ MARK IS CRITICAL DIM. ⊗ MARK IS MAJOR DIM.	品名 (TITLE) 1.27/0.8 PITCH SAS 12G RECEPTACLE VERTICAL SMT TYPE 圖號 (DWG NO.) 51892-029XX-XXX	製圖 (DR) 15'/05/26 IH. LEE 審核 (CHKD) ALEX 核准 (APPD) SEAN
表面處理 (FINISH)	比例 (SCALE) 2:1	單位 (UNITS) mm
	張數 (SHEET) 1 OF 1	SIZE A4
		REV 0